

SITE SPECIFICATIONS

for the

Kodak XLS 8600/8600 PS PRINTERS

Service Code: 2935, 2936

Kodak XLS 8657 DIGITAL PRINTER

Service Code: 0741

Kodak XLS 8400 PS PRINTER

Service Code: 0760

Kodak Digital Science™ 8650/8650 PS COLOR PRINTERS/32/48 MB

Service Codes: 2930, 2931, 2932, 2947

Kodak Digital Science™ MEDICAL COLOR IMAGER 2000

Service Code: 3441

Kodak Professional 8650R THERMAL PRINTER

Service Code: 3829

Kodak XLS 8660 PRINTER OEM

Kodak XLS 8680 PRINTER OEM



Important

Use qualified personnel to service this equipment.



PLEASE NOTE The information contained herein is based on the experience and knowledge relating to the subject matter gained by Eastman Kodak Company prior to publication.

No patent license is granted by this information.

Eastman Kodak Company reserves the right to change this information without notice, and makes no warranty, express or implied, with respect to this information. Kodak shall not be liable for any loss or damage, including consequential or special damages, resulting from any use of this information, even if loss or damage is caused by Kodak's negligence or other fault.


 This equipment includes parts and assemblies sensitive to damage from electrostatic discharge. Use caution to prevent damage during all service procedures.

Table of Contents

Description	Page
Equipment Specifications	3
Dimensions/Weight	3
Media	3
RECEIVER: XLS 8600/PS, XLS 8400 PS, 8650/PS, MCI 2000	3
Size	3
RECEIVER: XLS 8657 DIGITAL PRINTER	6
Size	6
Image Quality - XLS 8657 DIGITAL PRINTER	7
Size	7
Placement - Lead Edge	7
Placement - Left Border	7
Image Quality - XLS 8600/PS, XLS 8400 PS, 8650/PS, MCI 2000	7
Size	7
Placement - Lead Edge	8
Placement - Left Border	8
Supplies and Compatibility	9
DONOR	11
Capacity	11
Storage	11
TRAYS	12
Performance Specifications	16
User Interface	16
Site Specifications	17
Environment	17
Power Requirements	17
Agency Approval	17

Section 1: Equipment Specifications

Dimensions/Weight

Model	Dimensions	Weight	Weight in Carton	Tilt Position
XLS 8600/PS XLS 8400 PS 8650/PS MEDICAL COLOR IMAGER 2000	52.1 D x 42.6 W x 30.5 H cm (20.5 D x 16.75 W x 12 H in.)	25 kg (55 lbs.)	32.3 kg (71 lbs.)	10° ± 1° any axis maximum
XLS 8657	52.1 D x 42.6 W x 30.5 H cm (20.5 D x 16.75 W x 12 H in.)	25.9 kg (57 lbs.)	37.3 kg (82 lbs.)	10 x ± 1 x any axis maximum

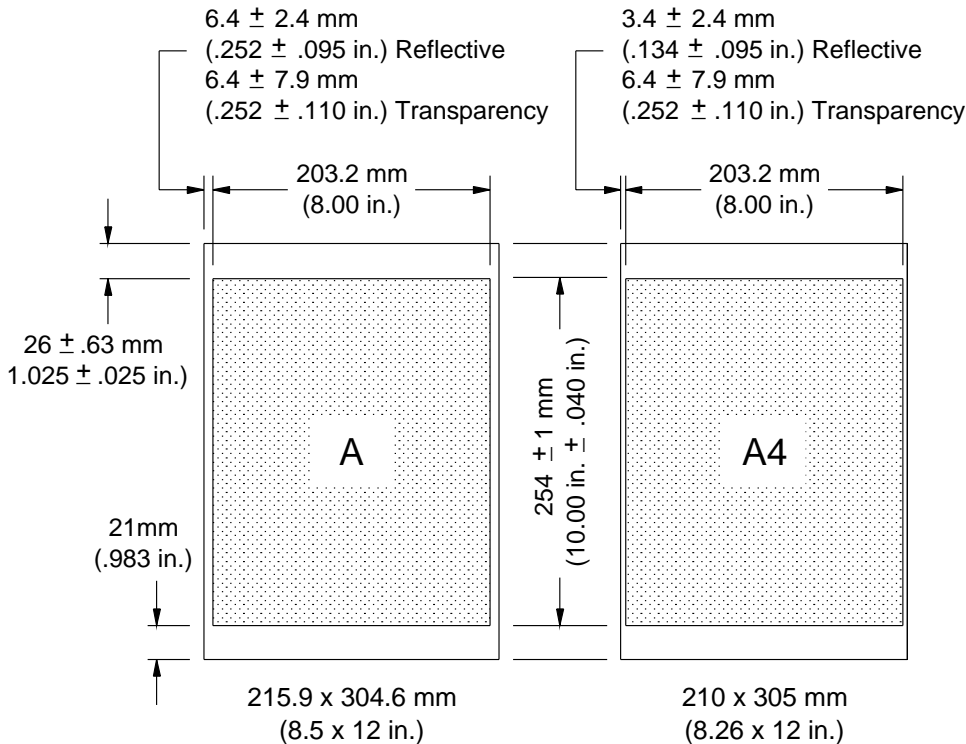
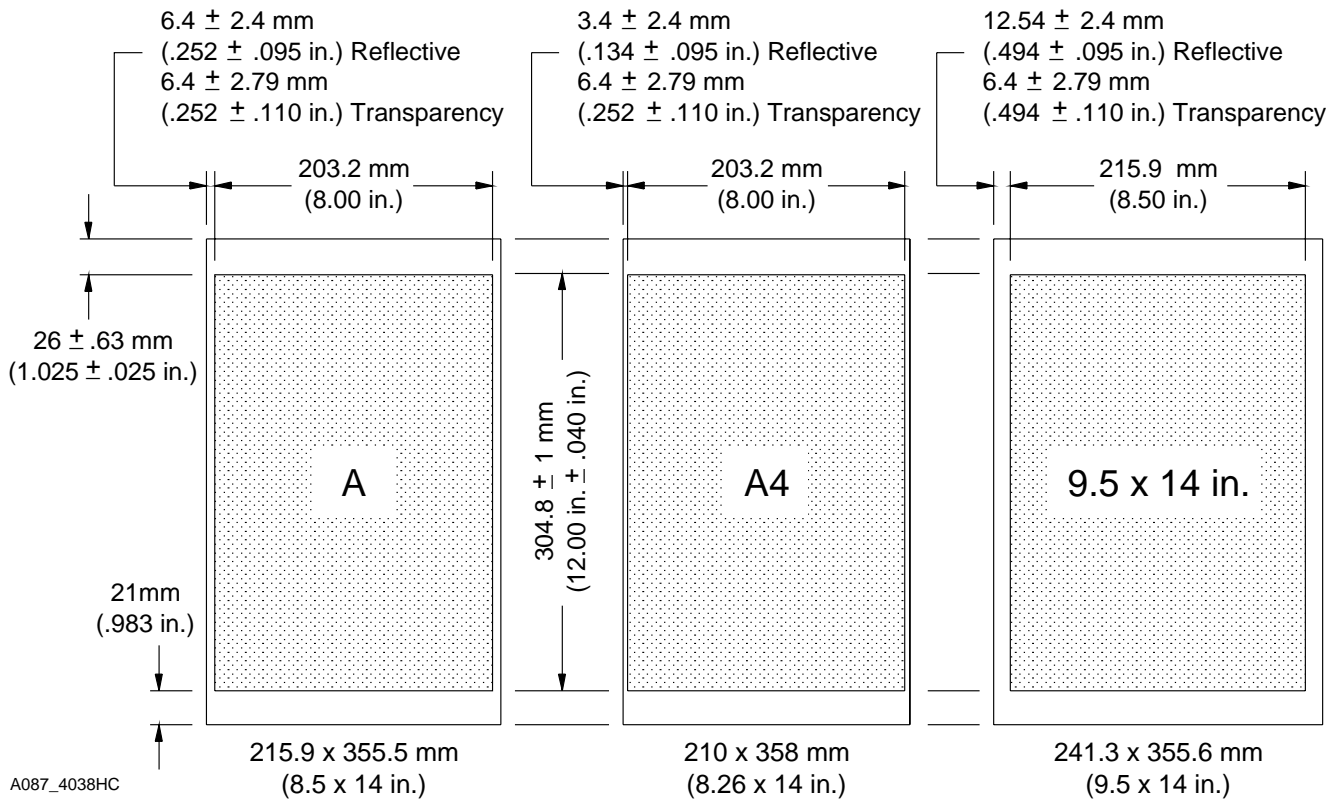
Media

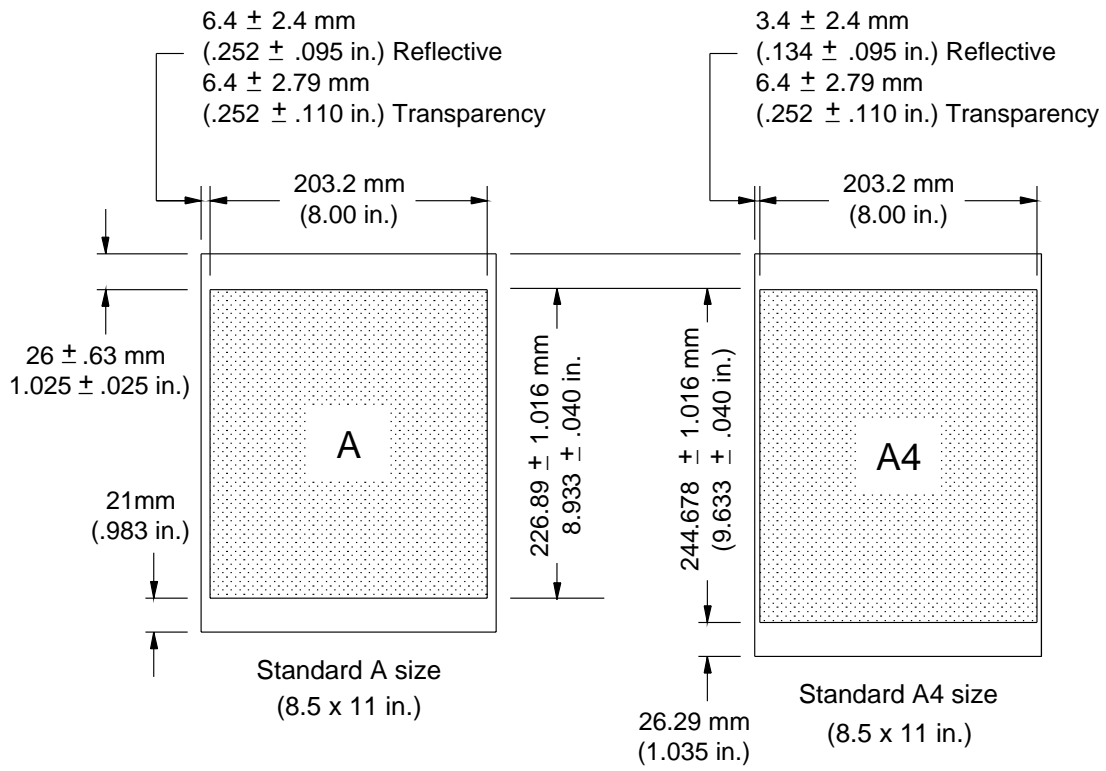
RECEIVER: XLS 8600/PS, XLS 8400 PS, 8650/PS, MCI 2000

Size

Size	Inches	Cm
A	8.5 x 11 ± 0.040 in.	21.7 x 28.1 ± 0.1 cm
	8.5 x 12 ± 0.040 in.	21.7 x 30.7 ± 0.1 cm
	8.5 x 14 ± 0.040 in.	21.7 x 35.8 ± 0.1 cm
A4	8.27 x 11.69 ± 0.040 in.	21.0 x 29.7 ± 0.1 cm
	8.27 x 12 ± 0.040 in.	21.0 x 30.7 ± 0.1 cm
	8.27 x 14 ± 0.040 in.	21.0 x 35.8 ± 0.1 cm
CID	9.5 x 14 ± 0.040 in.	24.3 x 35.8 ± 0.1 cm

ADJUSTMENTS AND REPLACEMENTS





A087_4040HC

RECEIVER: XLS 8657 DIGITAL PRINTER

Size

Inches	Cm
7 x 8.5 ± 0.040	17.80 x 21.60 ± 0.1

Receiver and Image Size - Model XLS 8657

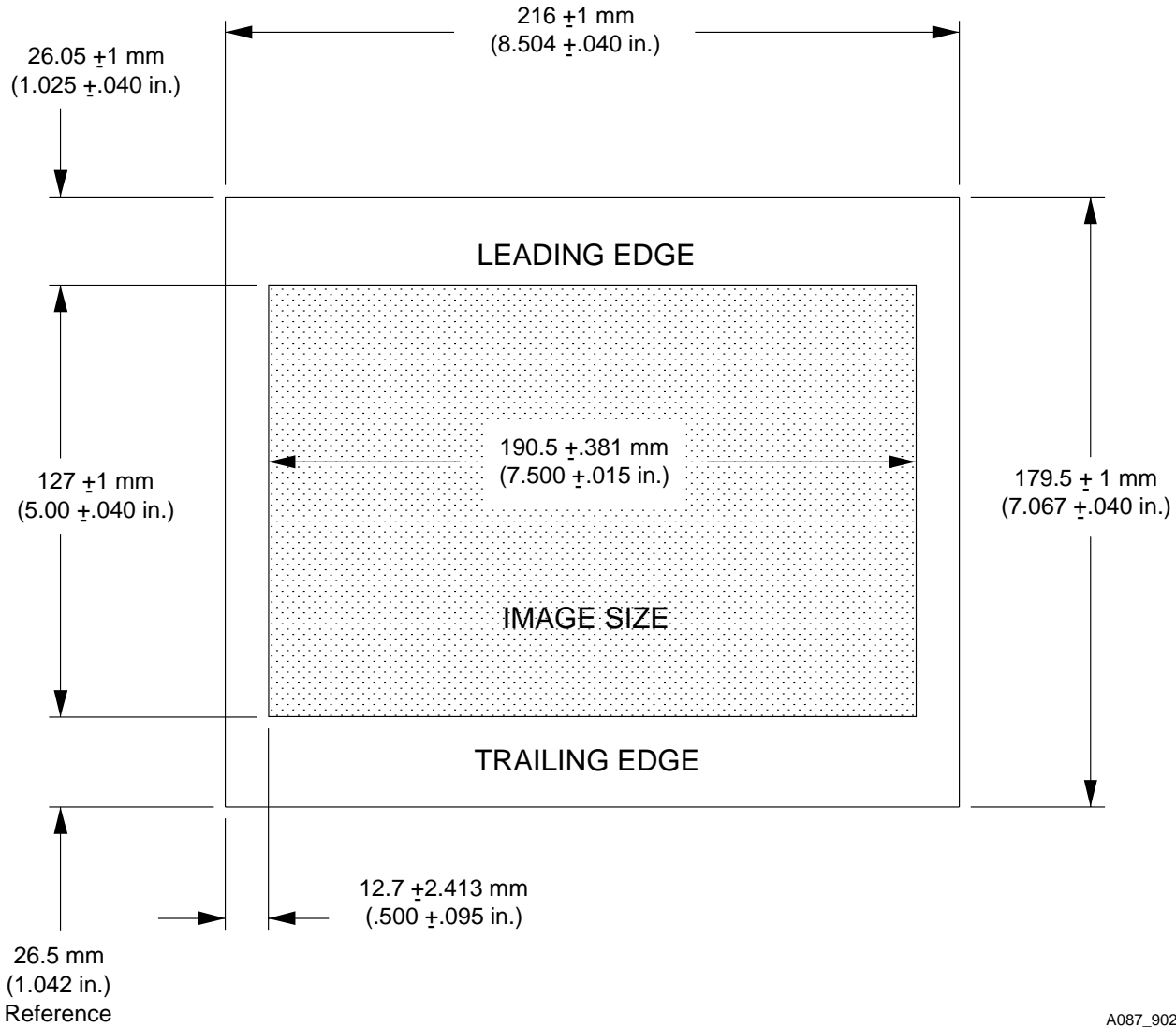


Image Quality - XLS 8657 DIGITAL PRINTER**Size**

Size	Specification
8 x 5 in.	20.32 x 12.70 ± 0.064 cm (8.00 x 5.00 ± 0.025 in.) 2400 pixels x 1500 lines

Placement - Lead Edge

Type	Specification
Lead Edge	2.605 ± 0.1 cm (1.025 ± 0.040 in.)

Placement - Left Border

Size	Type	Specification
8 x 5 in.	Reflective	1.27 ± 0.241 cm (0.500 ± 0.095 in.)

Image Quality - XLS 8600/PS, XLS 8400 PS, 8650/PS, MCI 2000**Size**

Size	Specification
A	20.32 x 22.69 ± 0.064 cm (8.00 x 8.933 ± 0.025 in.) 2400 pixels x 2680 lines
A	20.4 x 25.6 cm (8.00 x 10.00 in.) 2400 pixels x 3000 lines
A	20.4 x 30.7 cm (8.00 x 12.00 in.) 2400 pixels x 3626 lines
A4	20.32 x 24.47 ± 0.064 cm (8.00 x 9.633 ± 0.025 in.) 2400 pixels x 2890 lines
A4	20.4 x 24.6 cm (8.00 x 9.6 in.) 2400 pixels x 2890 lines
A4	20.4 x 25.6 cm (8.00 x 10.00 in.) 2400 pixels x 3000 lines
XLS 8600/PS, XLS 8400, and 8650/PS: 9.5 x 14 in.	21.7 x 30.7 cm (8.5 x 12.00 in.) 2550 pixels x 3626 lines
XLS 8600/PS and 8650/PS: 9.5 x 14 in.	21.7 x 30.7 cm (8.5 x 12.00 in.) 2528 pixels x 3626 lines

ADJUSTMENTS AND REPLACEMENTS

Placement - Lead Edge

Type	Specification
Lead Edge	2.60 ± 0.064 cm (1.025 ± 0.025 in.)

Placement - Left Border

Size	Type	Specification
A	REFLECTIVE	0.63 ± 0.238 cm (0.252 ± 0.095 in.)
A	TRANSPARENCY	0.63 ± 0.275 cm (0.252 ± 0.110 in.)
A4	REFLECTIVE	0.335 ± 0.238 cm (0.134 ± 0.095 in.)
A4	TRANSPARENCY	$0.335 \text{ cm} \pm 0.275$ cm (0.134 ± 0.110 in.)
CID	REFLECTIVE	1.24 ± 0.238 cm (0.494 ± 0.095 in.)
CID	TRANSPARENCY	1.24 ± 0.275 cm (0.494 ± 0.110 in.)

Supplies and Compatibility

Product Name	Physical Size	Max Image Area	Compatibility
REFLECTIVE RECEIVER			
<i>Kodak Professional Ektatherm</i> XLS PRINT PAPER / 8.5 x 11 in. / 261 x 279 mm	8.5 x 11 in. 216 x 279 mm	8.0 x 8.93 204 x 228 mm	XLS 8600 PS, XLS 8600, XLS 8660 OEM, 8650 All, XLS 8400 PS, MCI 2000, 8680 OEM
<i>Kodak Professional Ektatherm</i> XLS PRINT PAPER / 8.27 x 11.69 in. / A4 (210 x 297 mm)	8.27 x 11.69 in. A4/210 x 297 mm	8.0 x 9.6 in. 204 x 246 mm	XLS 8600 PS, XLS 8600, 8650 All, XLS 8400 PS, 8680 OEM, MCI 2000
<i>Kodak Professional Ektatherm</i> XLS PRINT PAPER / 8.5 x 12 in. / 216 x 307 mm	8.5 x 12 in. 216 x 307 mm	8.0 x 10 in. 204 x 256 mm	XLS 8600 PS, XLS 8600, XLS 8660 OEM, 8650 All, XLS 8400, 8680 OEM, MCI 2000
<i>Kodak Professional Ektatherm</i> XLS PRINT PAPER / 8.27 x 12 in. / 210 x 307 mm	8.27 x 12 in. 210 x 307 mm	8.0 x 10 in. 204 x 256 mm	XLS 8600 PS, XLS 8600, XLS 8660 OEM, 8650 All, XLS 8400 PS, 8680 OEM, MCI 2000
<i>Kodak Professional Ektatherm</i> XLS PRINT PAPER / 9.5 x 12 in. / 241 x 307 mm	9.5 x 12 in. 241 x 307 mm	8.5 x 10 in. 217 x 256 mm	
<i>Kodak Professional Ektatherm</i> XLS PRINT PAPER / 8.5 x 14 in. / 216 x 356 mm	8.5 x 14 in. 216 x 356 mm	8.0 x 12 in. 204 x 307 mm	XLS 8600 PS, XLS 8600, XLS 8660 OEM, 8650 All, XLS 8400 PS, 8680 OEM, MCI 2000
<i>Kodak Professional Ektatherm</i> XLS PRINT PAPER / 8.27 x 14 in. / 210 x 356 mm	8.27 x 14 in. 210 x 356 mm	8.0 x 12 in. 204 x 307 mm	XLS 8600 PS, XLS 8600, XLS 8660 OEM, 8650 All, XLS 8400 PS, 8680 OEM, MCI 2000
<i>Kodak Professional Ektatherm</i> XLS PRINT PAPER / 9.5 x 14 in. / 241 x 356 mm	9.5 x 14 in. 241 x 356 mm	8.5 x 12 in. 217 x 307 mm	XLS 8600 PS, XLS 8600, XLS 8660 OEM, 8680 OEM, 8650 All, XLS 8400 PS, MCI 2000
<i>Kodak Professional Ektatherm</i> XLS PRINT PAPER / 7.0 x 8.5 in. / 178 x 216 mm	7.0 x 8.5 in. 178 x 216 mm	5.0 x 8.0 in. 128 x 204 mm	XLS 8657 DIGITAL PRINTER
<i>Kodak Professional Ektatherm</i> XLS PRINT PAPER, COMMERCIAL GRADE	9.5 x 14 in. 247 x 356 mm	8.5 x 12 in. 217 x 307 mm	8650 COLOR PRINTER
<i>Kodak Professional Ektatherm</i> XLS PRINT PAPER, PUBLICATION GRADE	9.5 x 14 in. 247 x 356 mm	8.5 x 12 in. 217 x 307 mm	8650 COLOR PRINTER

ADJUSTMENTS AND REPLACEMENTS

Product Name	Physical Size	Max Image Area	Compatibility
TRANSPARENCY			
<i>Kodak Professional Ektatherm</i> XLS TRANSPARENCY MATERIAL / 8.5 x 11 in. / 216 x 279 mm	8.5 x 11 in. 216 x 279 mm	8.0 x 8.93 in. 204 x 228 mm	XLS 8600 PS, XLS 8600, MCI 2000, 8650 All, XLS 8400 PS, XLS 8660 OEM, 8680 OEM
<i>Kodak Professional Ektatherm</i> XLS TRANSPARENCY MATERIAL / 8.27 x 11.69 in. / 210 x 297 mm	8.27 x 11.69 in. 210 x 297 mm (A4)	8.0 x 9.6 in. 204 x 246 mm	XLS 8600 PS, XLS 8600, XLS 8660 OEM, 8650, XLS 8400 PS, 8680 OEM
<i>Kodak Professional Ektatherm</i> XLS TRANSPARENCY MATERIAL / 8.5 x 12 in. / 216 x 307 mm	8.5 x 12 in. 216 x 307 mm	8.0 x 10 in. 204 x 256 mm	XLS 8600 PS, XLS 8600, 8650 All, XLS 8400 PS, 8680 OEM, XLS 8660 OEM, MCI 2000
<i>Kodak Professional Ektatherm</i> XLS TRANSPARENCY MATERIAL / 8.27 x 12 in. / 210 x 307 mm	8.27 x 12 in. 210 x 307 mm	8.0 x 10 in. 204 x 256 mm	XLS 8600 PS, XLS 8600, 8650 All, XLS 8400 PS, 8680 OEM, XLS 8660 OEM, MCI 2000
<i>Kodak Professional Ektatherm</i> XLS TRANSPARENCY MATERIAL / 8.5 x 14 in. / 216 x 356 mm	8.5 x 14 in. 216 x 356 mm	8.0 x 12 in. 204 x 307 mm	XLS 8600 PS, XLS 8600, 8650 All, XLS 8400 PS, XLS 8660 OEM, 8680 OEM
<i>Kodak Professional Ektatherm</i> XLS TRANSPARENCY MATERIAL / 8.27 x 14 in. / 210 x 356 mm	8.27 x 14 in. 210 x 356 mm	8.0 x 12 in. 204 x 307 mm	XLS 8600 PS, XLS 8600, 8650 All, XLS 8400, XLS 8660 OEM, 8680 OEM

DONOR

Product Name	Max Image Area*	Compatibility
<i>Kodak Professional Ektatherm XLS</i> COLOR RIBBON	8.5 x 10.0 in. (216 x 256 mm) 2550 x 3000 pixels	XLS 8600 PS, XLS 8600, XLS 8660 OEM, 8680 OEM, XLS 8400 PS, MCI 2000
<i>Kodak Professional Ektatherm XLS</i> OVERSIZE COLOR RIBBON	8.5 x 12.0 in. (216 x 307 mm) 2550 x 3600 pixels	XLS 8600 PS, XLS 8600, MCI 2000, XLS 8400 PS, 8650 All, XLS 8660 OEM, 8680
<i>Kodak Professional Ektatherm</i> <i>Xtralife</i> COLOR RIBBON	8.5 x 10.0 in. (216 x 256 mm) 2550 x 3000 pixels	XLS 8600 PS, XLS 8600, MCI 2000, 8650 All, XLS 8660 OEM, 8680 OEM
<i>Kodak Professional Ektatherm</i> <i>Xtralife</i> BLACK RIBBON	8.5 x 12.0 in. (216 x 307 mm) 2550 x 3600 pixels	XLS 8600 PS, XLS 8600 XLS 8660 OEM, 8680 OEM, 8650 All, MCI 2000
<i>Kodak Professional Ektatherm XLS</i> MEDIUM FORMAT COLOR RIBBON**	5.0 x 8.0 in. (128 x 205 mm) 1500 x 2400 pixels	XLS 8657 DIGITAL PRINTER
<i>Kodak Professional Ektatherm XLS</i> FOUR COLOR RIBBON /CMYK	8.5 x 12 in. (216 x 307 mm) 2550 x 3600 pixels	8650/PS COLOR PRINTERS
<i>Kodak Professional Ektatherm XLS</i> OVERSIZE 3-COLOR RIBBON, <i>Xtralife</i> , CMY, LAMINATE	8.5 x 12.0 in. (216 x 307 mm) 2550 x 3660 pixels	8650/PS COLOR PRINTERS

 **Note**

*The maximum image area for the DONOR is the maximum size of an image which can be made using a particular product. The size of the actual image is limited by the maximum image capability of the printer used.

**This format was designed for use in the XLS 8657 DIGITAL PRINTER, but can be used with the XLS 8600 PS and XLS 8600 PRINTER with the correct third-party software.

Capacity

PRINTER	DONOR	Prints Per Roll
XLS 8600/PS, XLS 8400 PS, 8650/PS, MEDICAL COLOR IMAGER 2000	YMC, YMCX	100
8650/PS	YMCK, YMC/YMCX LONG	85
XLS 8657		200
XLS 8600/PS, XLS 8400 PS, 8650/PS, MEDICAL COLOR IMAGER 2000	BLACK	150

Storage

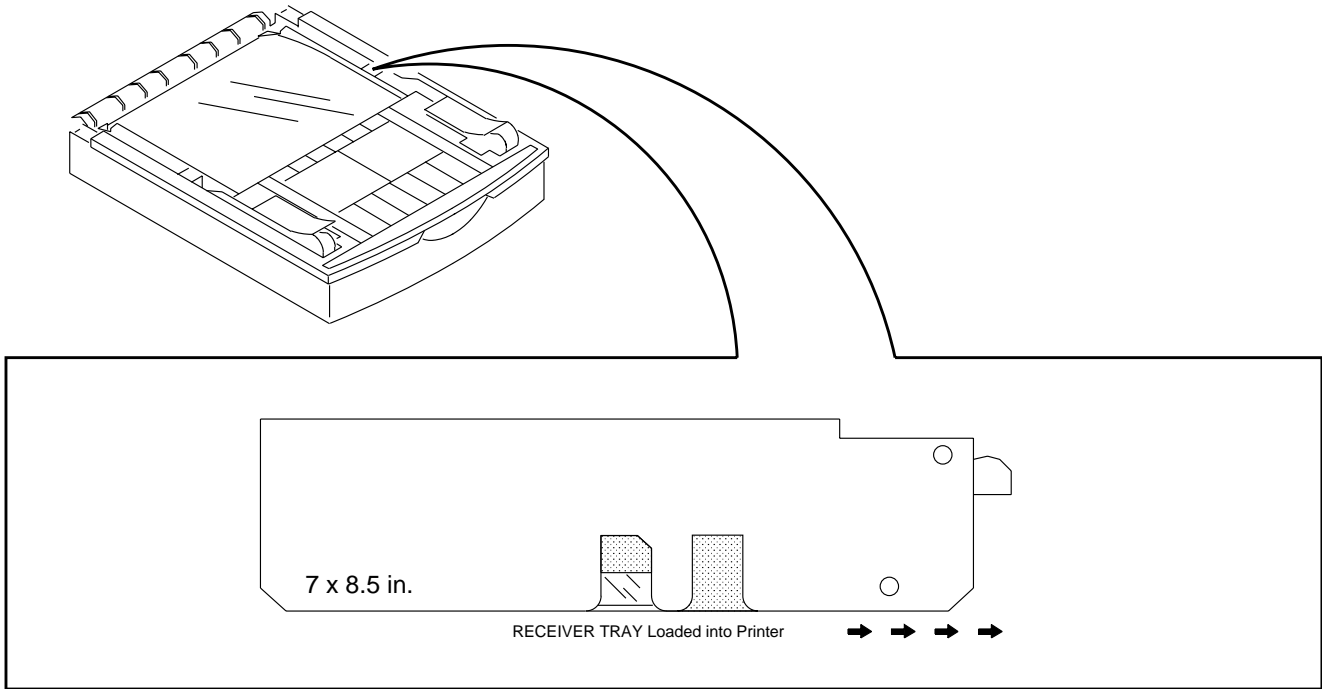
Item	Temperature	Relative Humidity
Paper/TRANSPARENCY/RIBBON	< 24°C (< 77°F)	40 - 60%

 **Note**

Long time exposure to temperatures 38°C (110°F) is not recommended for THERMAL MEDIA.

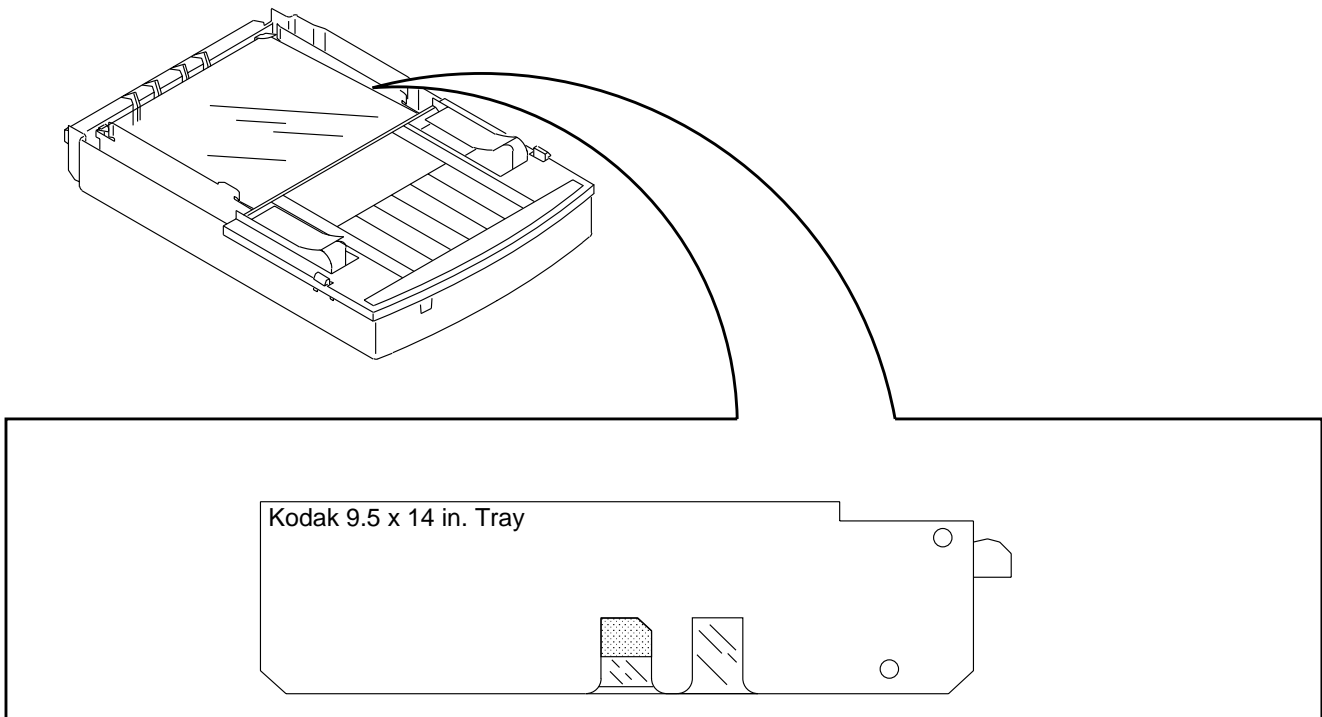
TRAYS

XLS 8657 DIGITAL PRINTER



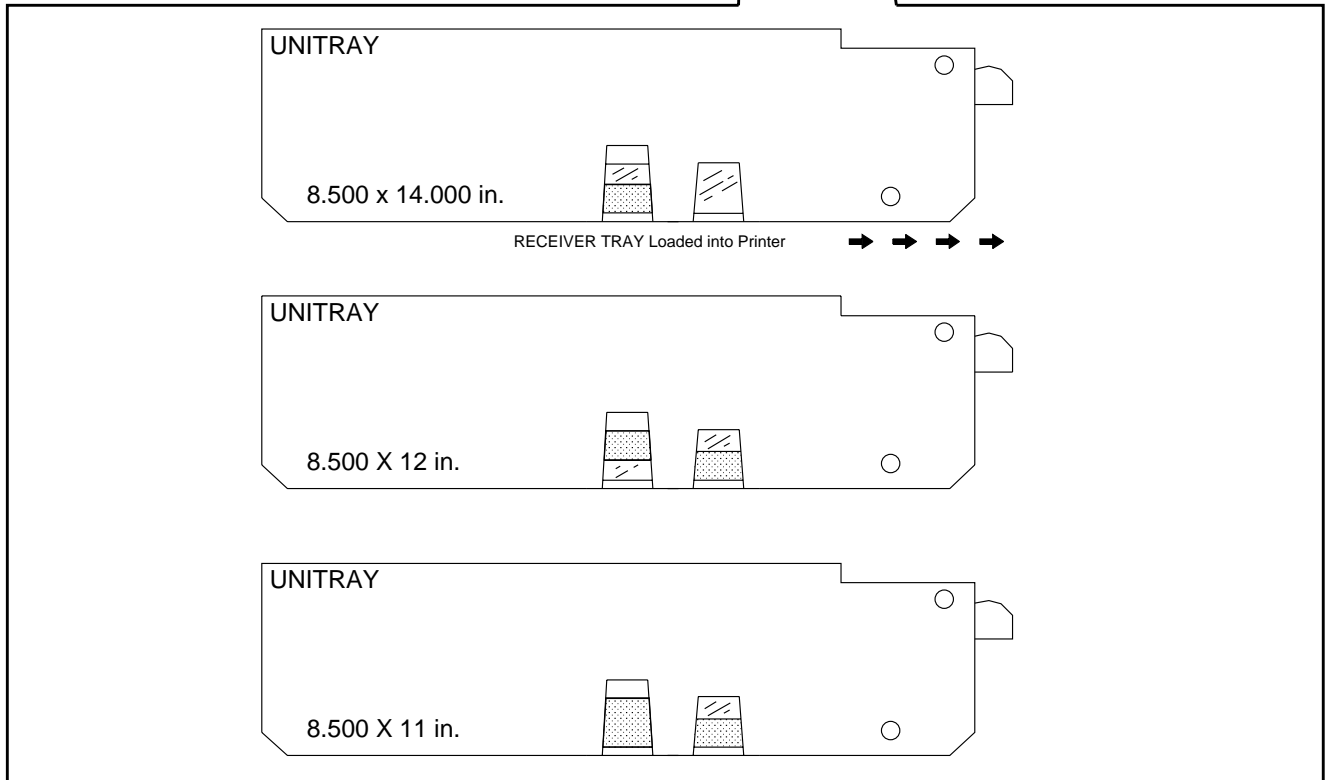
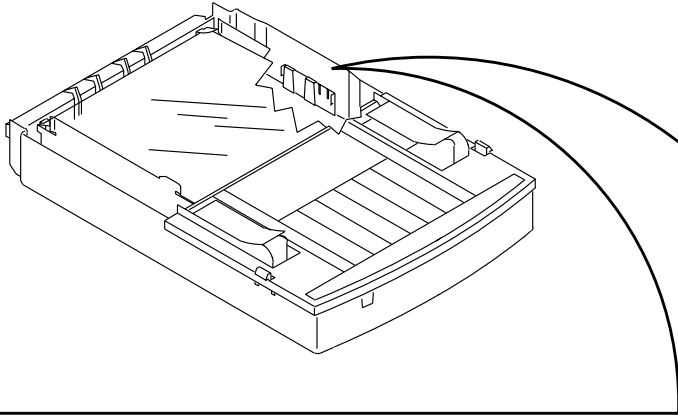
A087_3010HC

XLS 8600/PS PRINTERS, XLS 8400 PS PRINTER, 8650/PS COLOR PRINTERS, and MEDICAL COLOR IMAGER 2000



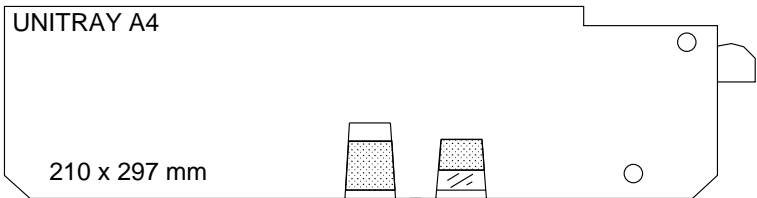
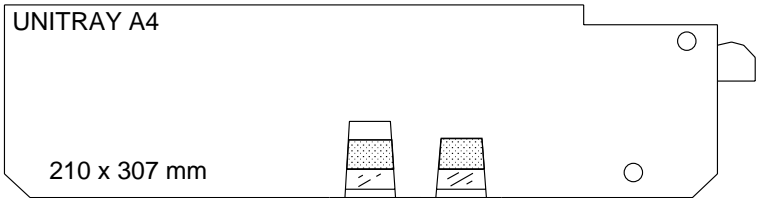
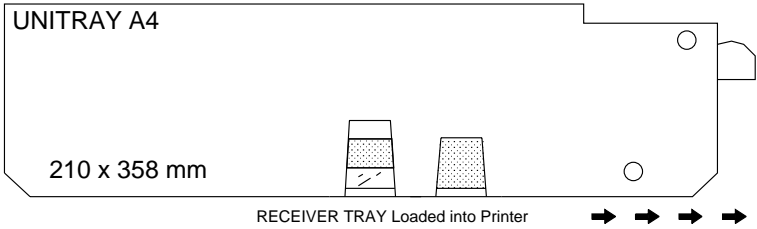
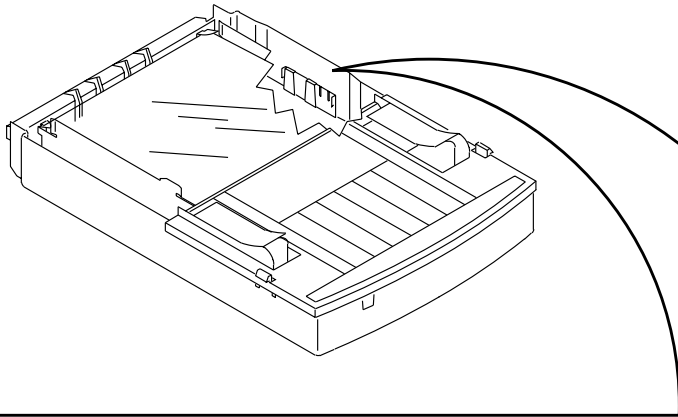
A087_2031HC

UNITRAY - A SIZE ADJUSTABLE



A087_4079DC

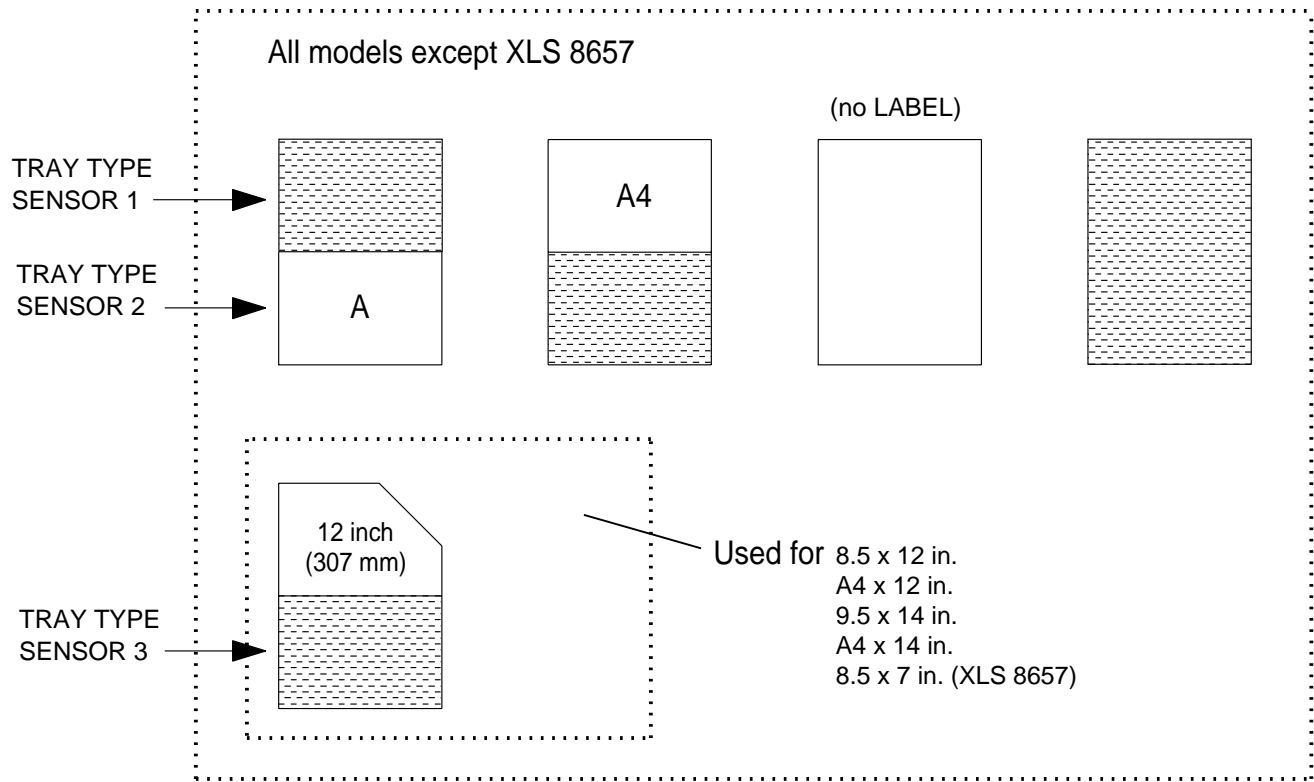
UNITRAY - A4 SIZE ADJUSTABLE



A087_4089DC

RECEIVER TRAY LABEL

RECEIVER TRAY LABEL (ID)



Reflective surface
 Opaque surface

	TRAY TYPE SENSOR 1	TRAY TYPE SENSOR 2	TRAY TYPE SENSOR 3	Image Size		Receiver Size	
A				8.000 x 8.933	203 x 227	8.504 x 10.984	216 x 279
A4				8.000 x 9.633	203 x 245	8.268 x 11.693	210 x 297
(A x 12) inch				8.000 x 10.000	203 x 254	8.504 x 12.087	216 x 307
(A4 x 12) inch				8.000 x 10.000	203 x 254	8.268 x 12.087	210 x 307
(9.5 x 14) inch				8.500 x 12.000	216 x 305	9.488 x 14.094	241 x 358
(A x 14) inch				8.000 x 12.000	203 x 305	8.504 x 14.094	216 x 358
(A4 x 14) inch				8.000 x 12.000	203 x 305	8.268 x 14.094	210 x 358
XLS 8657							
(8.5 x 7.0) inch				5.0 x 80	127 x 203	7.067 x 8.504	180 x 216

Note: 1) TRAY TYPE SENSORS 1 and 2 are located together at one position.
 TRAY TYPE SENSOR 3 is located at a different position from 1 and 2.
 2) RECEIVER TRAYS for XLS 8600 and DS 8650/PS are not interchangeable.

A087_9028EC

Performance Specifications

Item	Specification
First print access	2.6 minutes maximum
Time from initialization to operational status	2 minutes maximum
Print rate	54 prints per hour, 1.1 minutes per print 62 prints per hour, 58 seconds per print - XLS 8657

User Interface

Item	Specification
Display	2 LEDs, 16 character LCD
Languages	English, French, Spanish, German, Italian

Section 2: Site Specifications

Environment

Ambient Operating Temperature	15 - 30°C (59 - 86°F)
Relative Humidity	20 to 76%
Operating Sound Level	< 55 dB maximum

Power Requirements

Country	Voltage/Frequency
U.S., Canada	120 V AC, 60 Hz
Europe - except U.K.	220 V AC, 50 Hz 240 V AC, 50 Hz Autosense 90-264 V AC Autosense 47-63 Hz

Item	Specification
Power Consumption	Approximately 180 Watts during printing Approximately 107 Watts during pre-heat of the THERMAL HEAD Approximately 67 Watts in the READY or STAND-BY MODES
Power Connection	Maximum distance to outlet = 198.12 cm (6.5 ft)

Agency Approval

Item	Specification
Agency Approval	UL-1950 Safety
	CSA 950 Safety
	TUV EN60950
8650/PS COLOR PRINTERS only	Markings - Europe only

Kodak, Digital Science, and Kodak Professional are trademarks.

Printed in U.S.A. • ss2935_1_17mar00.fm

EASTMAN KODAK COMPANY
Rochester, NY 14650

Kodak Service & Support